



Anthra-Max Fireplace Insert

Model #DSFP16

Coal stove designed for
efficiency and function.



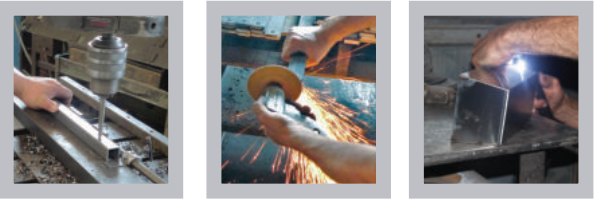
Where Tradition, Craftsmanship and Quality Come First



Since 1980, DS, a family owned business in Lancaster Pennsylvania has made sincere efforts to have the most competitive and the highest quality product available and it shows in the product they manufacture.

Traditional craftsmanship defines each product from wood and coal furnaces to custom metal fabrication. With a goal of high efficiency and low maintenance, along with superior quality, DS products are built to last a lifetime.

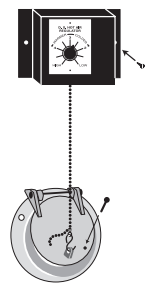
With four divisions, Stove Manufacturing, Retail, Wholesale, and Custom / Production Fabrication, DS strives for excellence in everything they produce.



THE DS REGULATOR

The DS Regulator is not electrical. It uses two different metals bonded together. The metals expand and contract based on temperature, directing the heat to where it is needed.

Mounted directly on the hot surface of the stove, it governs the temperature by opening or closing the draft control. This draft control connects to a specially designed draft intake, through which air can enter to increase or decrease the temperature of the fire, depending on the heat radiated from the stove. The DS Regulator is equipped with a 5-position mechanical control dial.



Which DS Product is Right for You?

DS STOVES	First Floor	Basement	Whole House	Forced Hot Air	Coal	Wood	Gas	Freestanding Unit	Hot Water Heating	Green House/Shop
Anthra-Max	•	•	•		•			•		
Anthra-Max Fireplace Insert	•	•	•		•					
Anthra-Glo	•	•	•		•			•		
Aqua-Gem Boilers #1100, 3200, 4200		•	•		•				•	•
Aqua-Stoke		•	•		•				•	•
CoalMaster		•	•		•				•	•
Comfort Max	•	•	•		•			•		
DS Circulator	•	•	•		•			•		
Ecomiser		•	•	•	•					•
Econo Riteburn		•	•		•			•		•
EnergyMax #110	•	•	•		•			•		
EnergyMax #160		•	•		•			•		•
Gas Boiler		•	•				•		•	•
Gas Furnace		•	•				•			•
GH Blast #450					•	•		•		•
HeatRight		•	•		•			•		
Heco Cookstove	•		•		•	•		•		
Kozy-King		•	•	•	•					•
Power Boilers # 5000, 6000, 7000					•	•		•	•	
Stoker Furnace		•	•	•	•			•	•	

Things to Consider When Purchasing

- #DSFP16 Anthra-Max Insert _____
 - #FP16-SSS Standard Surround _____
 - #FP16-OSS Oversize Surround _____
 - _____ ft. Stainless Steel Relining Kit _____
 - Front Loading Baffle _____
 - CO and Smoke Alarm _____
- SubTotal _____
Tax _____
TOTAL _____

Prices are subject to change without notification

DS621-500

Authorized Dealer

New Re-burn Stove Insert

The DS Anthra-Max is an American-made, coal stove that puts efficiency and function ahead of price. Designed for the first floor or basement of a home, the DS Anthra-Max features an innovative smoke and gas re-burn system.



FEATURES:

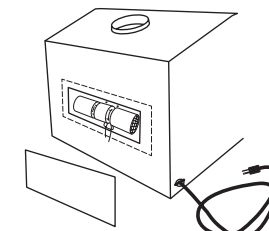
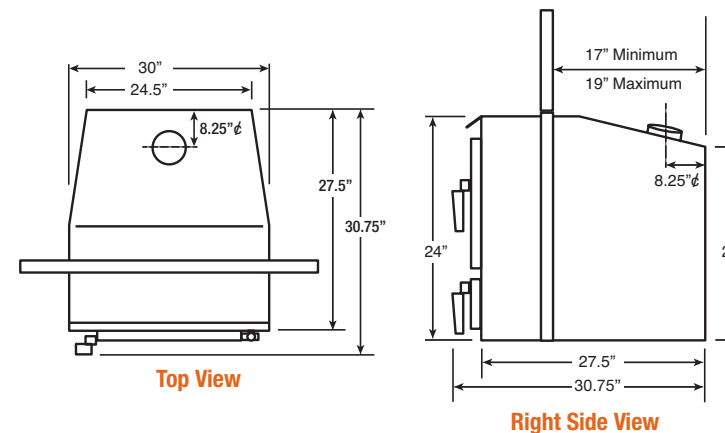
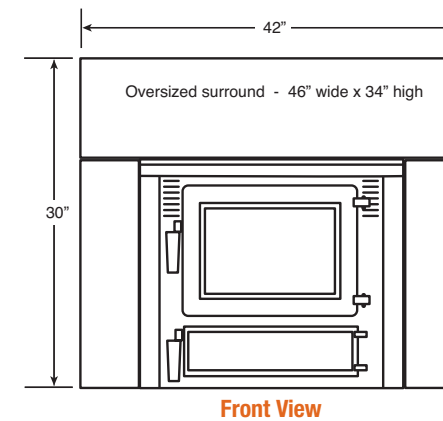
- Burns coal
- Easy liner attachment from inside of firebox
- Front loading
- Built from heavy plate steel
- Superior cast iron Shaker grates
- Cast iron airtight doors with knife edge seals
- Gravity fed coal hopper
- Dust free exterior Shaker handles
- Burn time 24-48 hours
- Removable firebrick retainers (bolt-on)
- SS secondary reburn baffle (removable)
- Adjustable air wash
- Bi-metal draft regulator (proven for 25+ years)
- Extra wide ashpan (for minimum ash spillage)
- Large 15" x 9" glass viewing window
- Made in the USA

SPECIFICATIONS

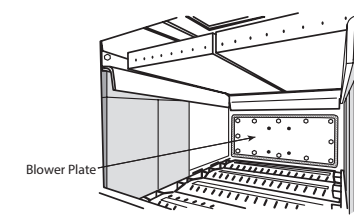
Model #	#DSFP16
Fuel	Coal
Heating area (recommended)	1000-2000 sq. ft.
Efficiency (Approx.)	82%
BTU (Approx.)	90,000
Firebox size (WxDxH)	16" x 18" x 11"
Firebox volume	1.8 cu. ft.
Firebox height to hopper	9.5"
Firebox height	11"
Hopper door size (WxD)	7.5" x 8.5"
Top door size (WxH)	18" x 11.75"
Ash door size (WxH)	19" x 5.25"
Ash pan size	2.75" high
Top exhaust/size	6"
Coal hopper capacity (Approx.)	20 lbs.
Coal volume with hopper (Approx.)	80 lbs.
U.L. tested	Yes*
Weight	480 lbs.
Warranty	5-year limited
Blower (Vari-speed)	Max CFM 220

All units require a class "A" all fuel chimney installation that must conform to local and state codes. *Safety tested to U.L. #1482 for coal use only

FP16 MEASUREMENTS



Power cord can be left or right side of insert



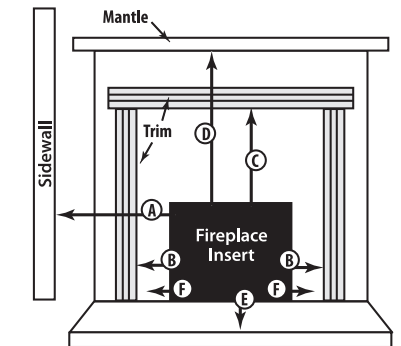
Blower accessible from inside the firebox

CLEARANCE REQUIREMENTS

Fireplace Insert Chimney, Clearance Requirements and Specifications

1. Insert must be installed in an existing masonry or factory built fireplace. Maintaining all clearance to combustibles.
2. Insert must be installed on a noncombustible surface.
3. Locate and read clearance to combustibles in manual before installing unit. The most important consideration in installing your insert is adequate clearance between the insert and any combustible surface. An insert that is located too close to a mantel, trim, furniture or any combustible materials may cause a fire.
4. A noncombustible base must extend at least 16" beyond front of insert and 8" beyond each side of load and ash doors.
5. Do not connect this unit to a chimney flue servicing other appliances. A "6" Class A" chimney liner must extend from insert to top of chimney. It is recommended to wrap liner with foil faced insulation to enhance performance of chimney.

Minimum Clearances to Combustible Materials



- | | |
|-----------------------------------|--|
| A. Unit to Sidewall – 10" | D. Unit to Mantle – 30" |
| B. Unit to Right Side Facing – 9" | E. Floor Protection in front of door – 16" |
| B. Unit to Left Side Facing – 9" | F. Floor Protection each side of door – 8" |
| C. Unit to Top Facing – 25" | |