

FUSION 18



HEAT CAPACITY

500 to 1,800 sq.ft.



HEATING TIME

4 to 8 hours



FIREBOX SIZE

1.85 cu ft



GLASS DIMENSIONS

19 1/4" x 11 1/4"



MAX. HEAT OUTPUT

60,000 BTUs



LOG SIZE

18" (47 cm)



EMISSIONS

1.9 g/hr
EPA 2020 Certified



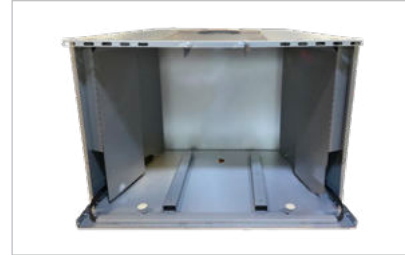
CHIMNEY

5" liner

EXCLUSIVE FEATURES



This patented, user-friendly mechanism automatically reduces the amount of combustion air introduced during ignition to the desired burn rate setting. The result is a beautiful and consistent fire burning to its full capacity.



The patented design of our circulating chamber prevents the heat from escaping to the existing chimney and allows for an optimal flow and heat transfer.



Pre-assembled on the circulating chamber, these heat activated blowers help distribute the warm air into the room. The air flow level can be controlled with a variable speed control that is discreetly located on the surround.



The unique design of our baffle allows for combustion air to enter the firebox through small perforations offering an unimpeded view of the fire all while increasing the efficiency and burn time.



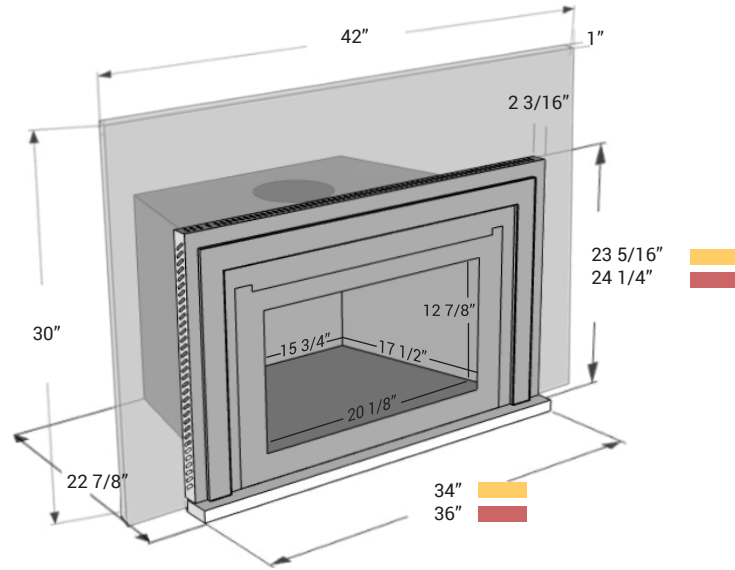
Offered as an option, the grill can be attached to the back panel of the firebox so you can barbecue some of your favorite meals inside the comfort of your own home.



The Fusion can be installed on a 5-inch liner making it the ideal product for narrow masonry chimney openings.

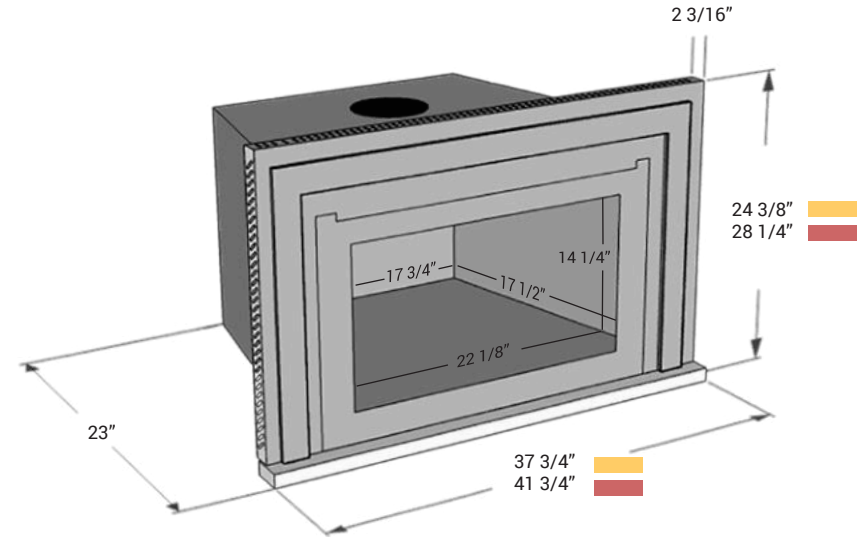
DIMENSIONS

FUSION 18

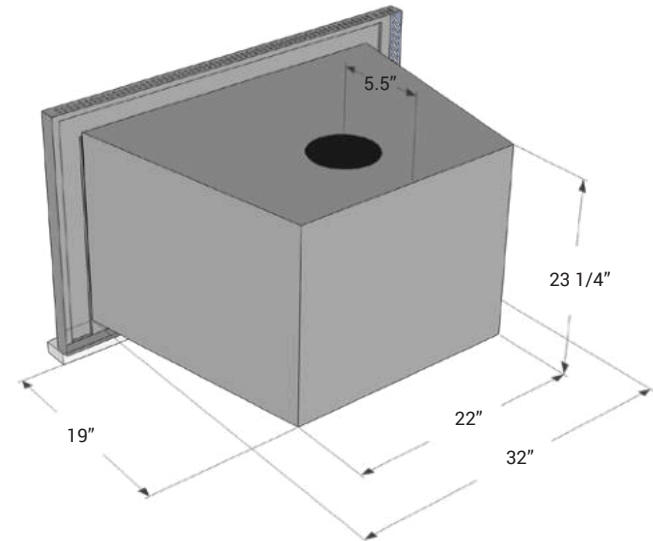
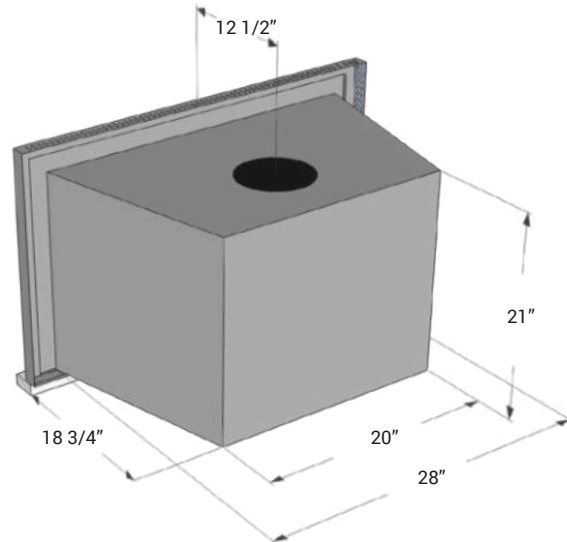


- SURROUND 34"x 23"
- SURROUND 36"x 24"
- BACK OVERLAY 42" X 30"

FUSION 24

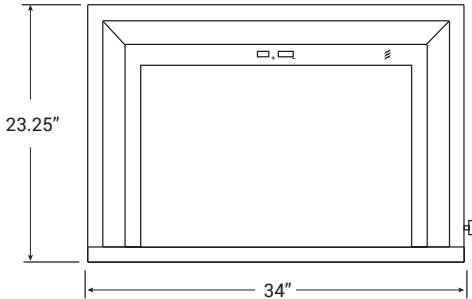


- SURROUND 38"x 24"
- SURROUND 42"x 28"

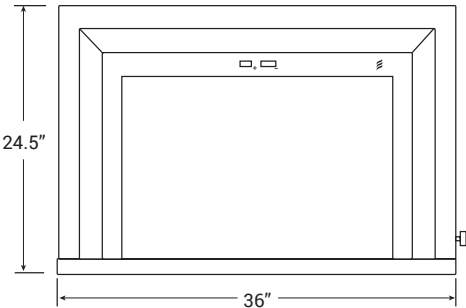


FUSION SURROUND DIMENSIONS

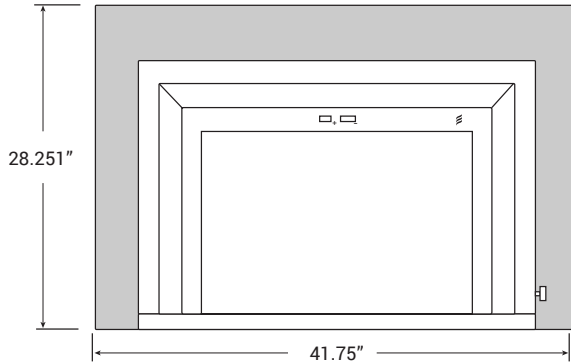
FUSION 18



18FNFA-01-34

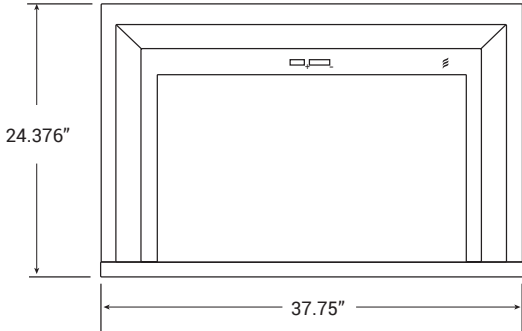


18FNFA-01-36

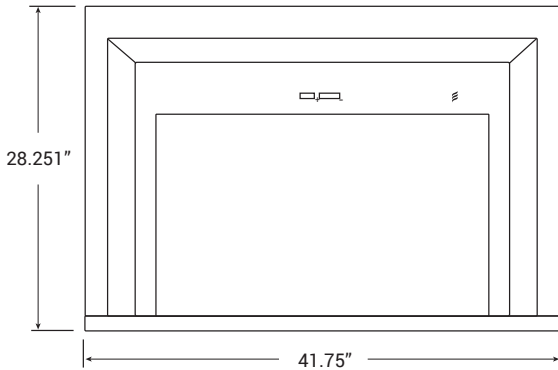


18FNFA_ML42-01

FUSION 24



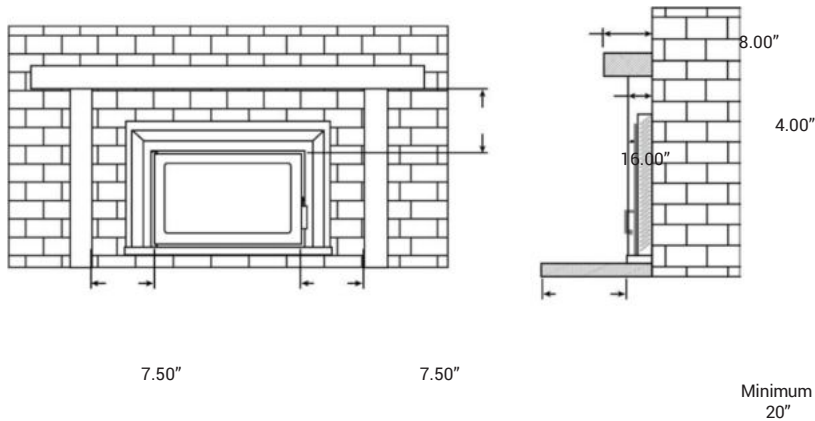
24FNFA-01-38



24FNFA-01-42

CLEARANCES TO COMBUSTIBLES

Note that the non-combustible hearth must extend a minimum of 20" (508 mm) from the front of the door and 8" (203mm) on each side of the masonry fireplace opening.



WARNING: Keep a minimum distance of 5' (152 cm) from the unit to any combustible material such as firewood, furniture, and drapes as a fire hazard precaution.

The depth of the mantle is measured from the face of the fireplace door. When the non-combustible wall is recessed, the depth of the mantle can be increased by the amount of the recess.

Note that a mantel cannot be installed below the minimum clearance of 34.5" (from the bottom of the mantel to the base of the unit).

Location	Distance
Sidewall from outer edge of fuel door	15.5" (394mm)
Side trim from outer edge of fuel door	7.5" (190.5mm)
Top trim from top edge of fuel door	16" (406mm)
Protruding mantel (8") from floor (base of unit)	34.5" (876mm)
Protruding mantel (8") from top edge of fuel door	18.5" (470mm)

Maximum Mantle Depth	Distance from the Base of the FUSION to the Bottom of the Mantle
8" (203 mm)	34.5" (876 mm)
10" (254 mm)	39" (991 mm)
12" (305 mm)	43.5" (1105 mm)

Minimum Opening Dimensions

Model:	Fusion 18	Fusion 24
A - Width (Front)	28" (711 mm)	32" (813 mm)
B - Width (Back)	18" (457 mm)	22" (559 mm)
C - Height	21.75" (553 mm)	23.25" (591 mm)
D - Depth	19" (483 mm)	19" (483 mm)
E - Hearth Extension Length	44" (1,118 mm)	48" (1,219 mm)
F - Hearth Extension Depth	20" (508 mm)	20" (508 mm)