

NOVO 18



HEAT CAPACITY

500 to 1,000 sq.ft.



HEATING TIME

Up to 10 hours



FIREBOX SIZE

1.8 cu ft



GLASS DIMENSIONS

17 1/8" x 12"



MAX. HEAT OUTPUT

60,000 BTUs



LOG SIZE

Maximum: 18"
Recommended: 18"



EMISSIONS

1.99 g/hr
EPA 2020 Certified



CHIMNEY

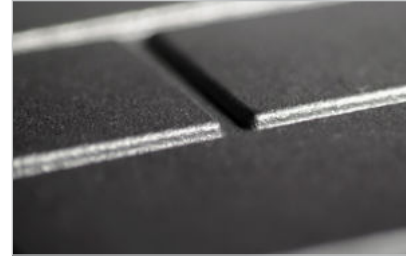
6 inch listed to UL103/
ULC S629 standards



EXCLUSIVE FEATURES



This patented, user-friendly mechanism automatically reduces the amount of combustion air introduced during ignition to the desired burn rate setting. The result is a beautifully consistent fire burning to its full capacity.



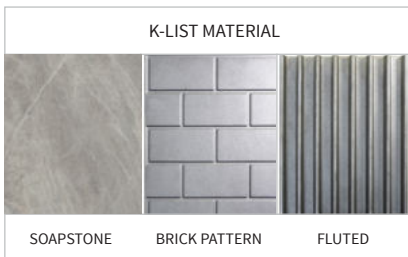
Crafted with care, our heavy-duty cast iron panels are stamped with a brick pattern on one side and a flowing contemporary design on the other. These reversible panels provide a versatile design that is as beautiful as it's functional.



This powerful yet whisper-quiet system effortlessly distributes heat over significant distances. As the combustion progresses, the high-quality blower automatically activates and is set using the variable speed controller.



Soapstone is a natural material marked by its elegant appearance, unfaltering durability and exemplary thermal properties. By absorbing, storing and radiating heat over time, it provides consistent and long-lasting warmth.



The Novo's firebox can be customized by choosing between two materials: soapstone and cast iron. Both are incredibly durable and heat-efficient, yet offer distinct aesthetic appeal.

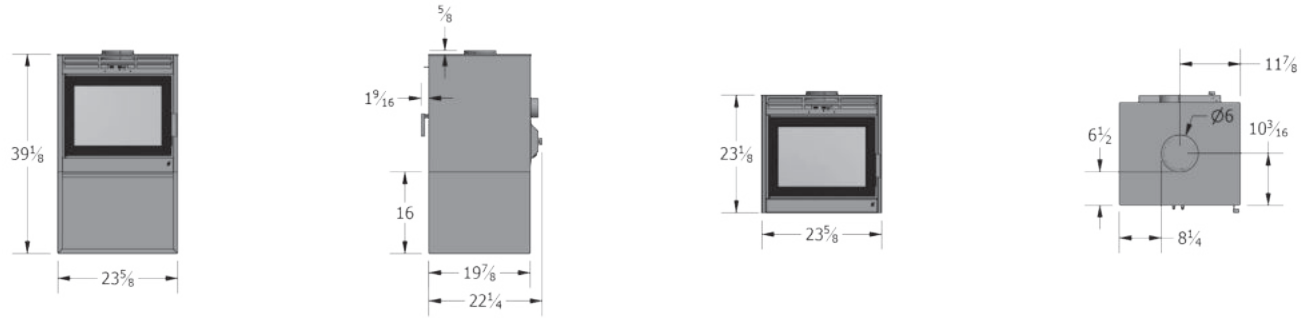


Our products have a unique design that allows secondary air to enter through a perforated baffle offering an unimpeded viewing area to the fire all while increasing the stove's efficiency and prolonging the combustion.

WEIGHT & DIMENSIONS

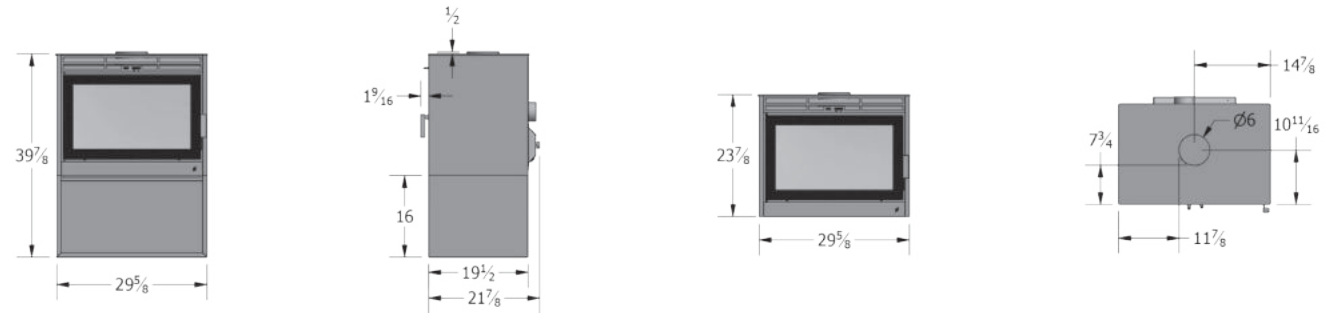
NOVO 18

Weight: 310 lbs
Podium 18 : 40 lbs



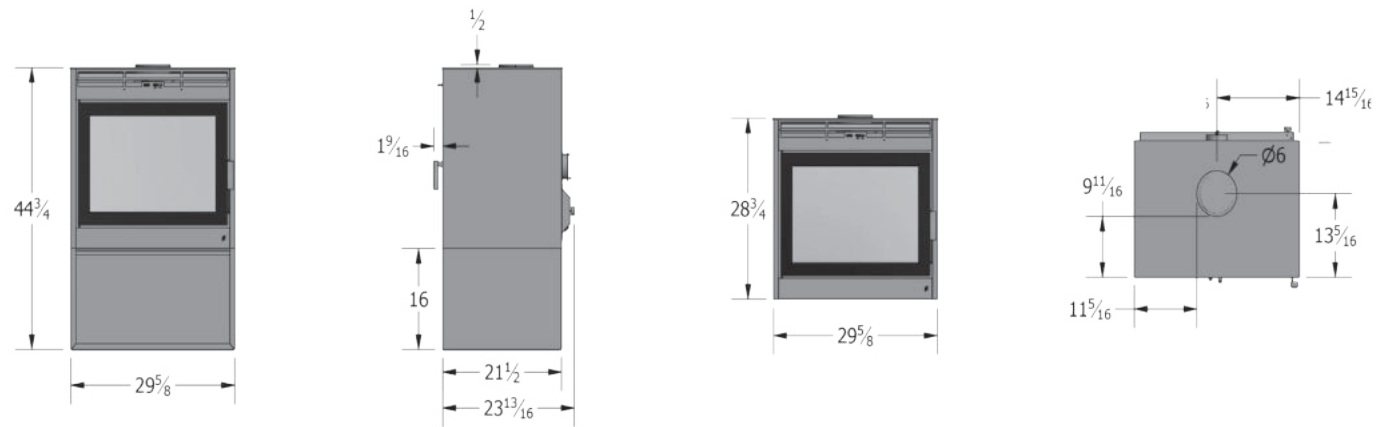
NOVO 24

Weight: 340 lbs
Podium 24 : 50 lbs



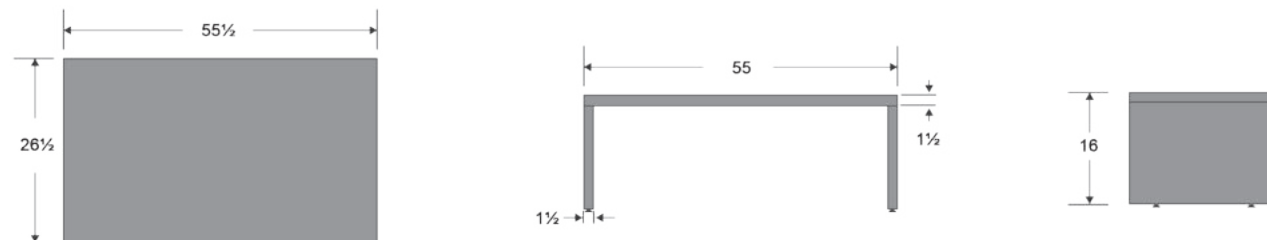
NOVO 38

Weight: 410 lbs
Podium 38 : 60 lbs



UNIVERSAL TABLE

Weight: 120 lbs



*All units are in inches